

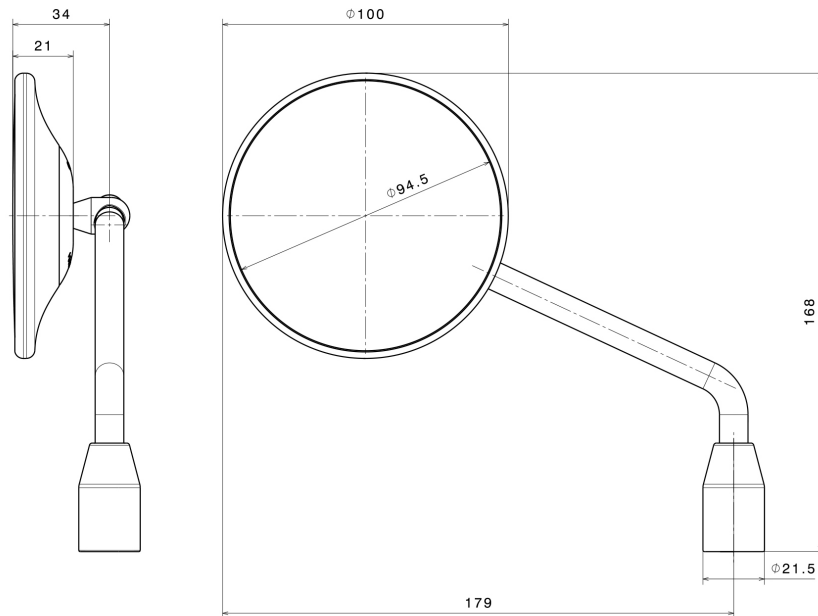
**E1** E1\*81R00/02\*0121\*01

<b>Issued by:</b>	TÜV SÜD Auto Service GmbH DE-80686 München
<b>Place &amp; Date of type-approval:</b>	DE-24932 Flensburg, 26.06.2023
<b>Report No.:</b>	21-00147-CP-BWG-01
<b>Date of issue:</b>	31.05.2023
<b>Approval identification:</b>	E1*81R00/02*0121*01

**Product Codes:** BS1201L, BS121M, BS121N, BS121C, BS121B.

**Technical Drawing:**

## BS121



**Marking:** Printed in low relief by stamping.

**Field of application:** 2 or 3 wheel motorcycles and vehicles treated as such.  
(PTWs, ATVs, Scooters, Motorcycles, Moped)