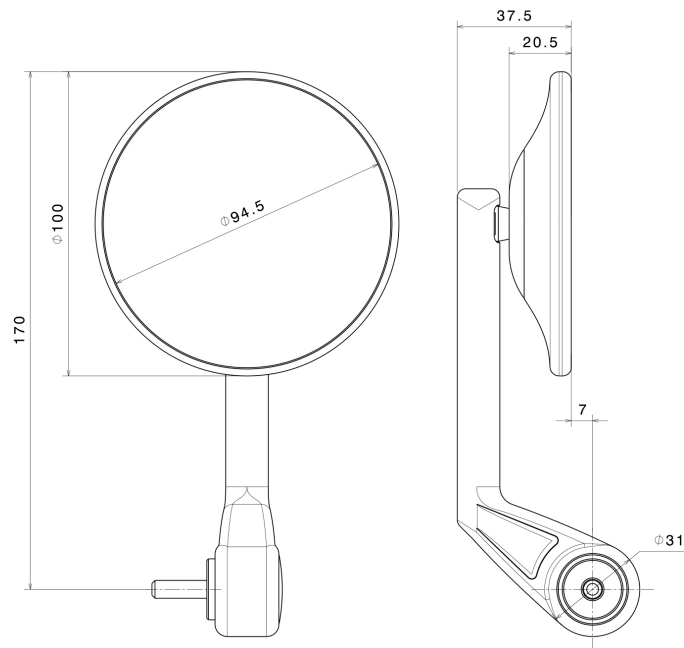


E1 E1*81R00/02*0121*00

Issued by:	TÜV SÜD Auto Service GmbH DE-80686 München
Place & Date of type-approval:	DE-24932 Flensburg, 09.09.2021
Report No.:	21-00147-CP-BWG-00
Date of issue:	31.08.2021
Approval identification:	E1*81R00/02*0121*00

Product Codes: BS120L, BS120M, BS120N, BS120C, BS120B.

Technical Drawing:



Marking:	Printed in low relief by stamping.
Field of application:	2 or 3 wheel motorcycles and vehicles treated as such. (PTWs, ATVs, Scooters, Motorcycles, Moped)